

# FZ-N60HFU

Thank you for purchasing a SHARP Filter.  
Please read this manual carefully before operating the product.

### Caution

- Do not tear the bag until you use the filters because they are in the plastic bag to maintain their performance of dust collection and deodorization.
- Be sure to unplug the power cord of air purifier from the wall outlet.

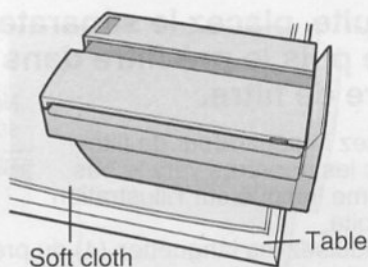
### Filter Maintenance

Some odor ingredients absorbed by the filters may become separated and may be discharged through the air outlet and result in additional odor. Depending on the usage environment, the air outlet odor may become strong after several months. In this case, clean the Washable Active Carbon Filter. If this odor persists, this is because the odor components absorbed by the True HEPA Filter have come off the filter. Replace the HEPA filter.

## 1 Filter Removal

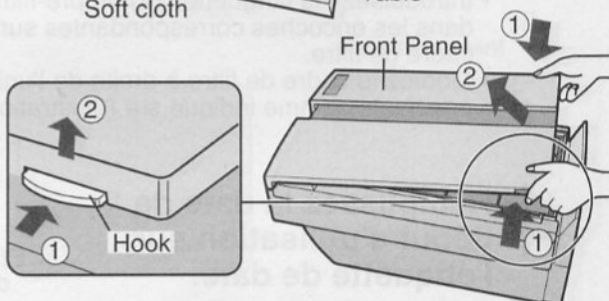
### 1 Place the unit facing up

Lay the unit on a flat surface such as a table, making sure not to pinch the power cord on the rear of the unit.

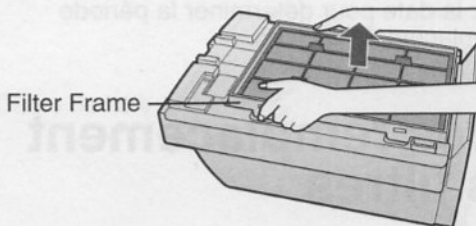


### 2 Remove the Front Panel

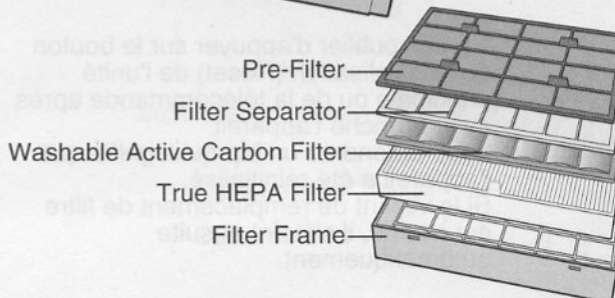
Press in the hook on the bottom of the Front Panel and lift to remove.



### 3 Pull out the Filter Frame and remove the Pre-Filter and Filter Separator.



### 4 Remove the Washable Active Carbon Filter (black) and True HEPA Filter (white) which have been used.

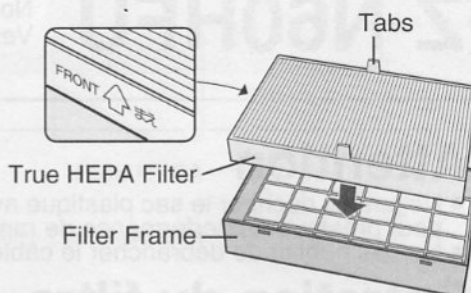


## 2 Filter Installation

### 1 After the True HEPA Filter is removed from the plastic bag, place it within the Filter Frame with the tabs facing up.

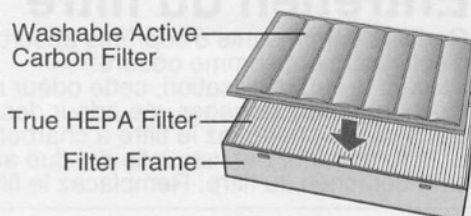
(See the diagram to the right.)

Ensure that the filter is installed correctly. Do not install the filter backwards or the unit will not operate properly.



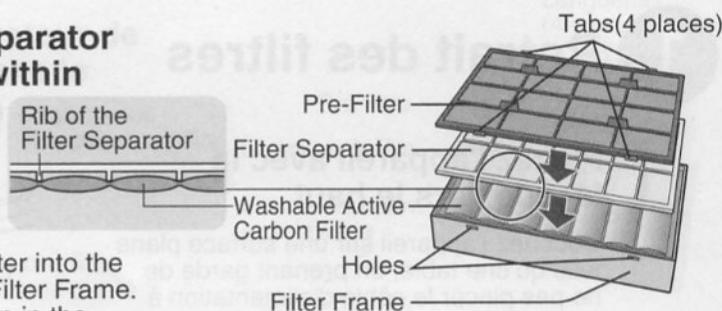
### 2 After removing the Washable Active Carbon Filter from the plastic bag, place it within the Filter Frame on top of the True HEPA Filter.

(See the diagram to the right.)



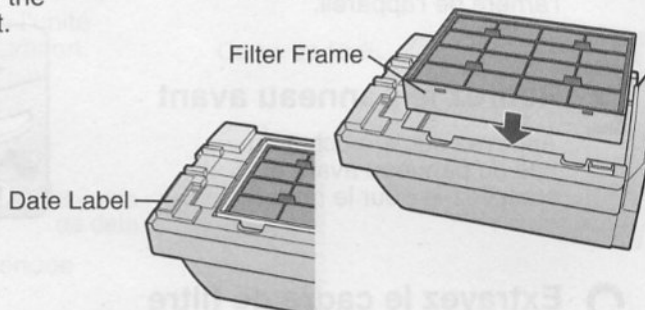
### 3 Next, place the Filter Separator and then the Pre-Filter within the Filter Frame.

- Place the Filter Separator so that the ribs are facing down as shown in the diagram to the right.
- Insert the tabs(4), of the Pre-Filter into the associated holes found on the Filter Frame.
- Mount the Filter Frame as shown in the diagram to the right to the main unit.



### 4 Fill in the date you start using the new filters on the Date Label.

Use the date as a guide for your Filter Replacement schedule.



## 3 After the Filter Replacement

Be sure to press the Filter Reset Button on either the main unit or remote control with the unit plugged in. You will hear a beep sound that means that the unit has been reset. If the Filter Indicator Light is on, it will then go out automatically.

